

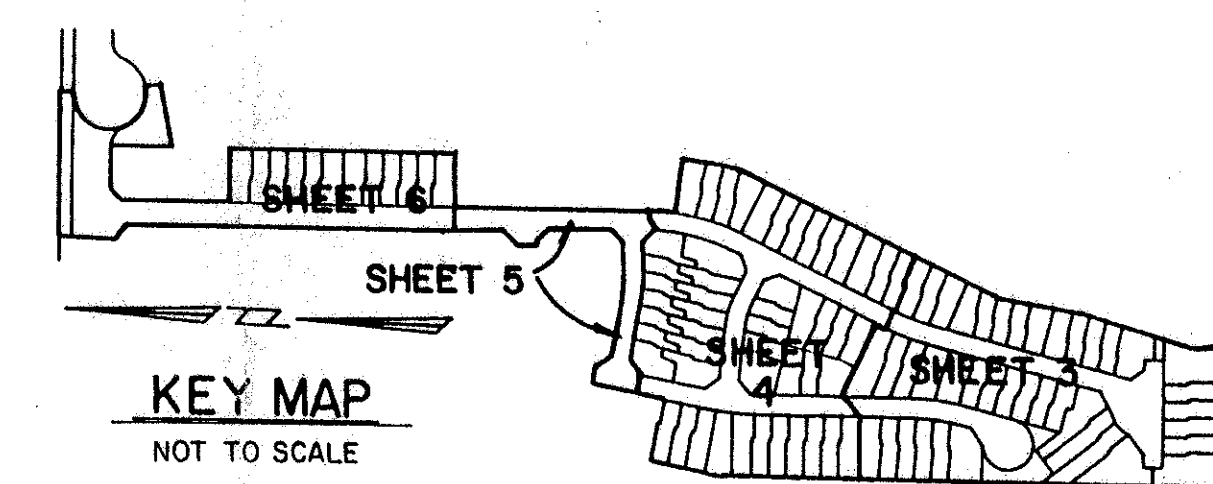
LAKE CHARLESTON TRACT "G" PLAT I

A PART OF LAKE CHARLESTON PLANNED UNIT DEVELOPMENT

BEING A REPLAT OF A PORTION OF TRACT G OF LAKE CHARLESTON PLAT NO. 3 AS RECORDED IN PLAT BOOK 62, PAGES 55 THRU 68, PUBLIC RECORDS OF PALM BEACH COUNTY, FLORIDA LYING IN SECTION 9, TOWNSHIP 45 SOUTH, RANGE 42 EAST, PALM BEACH COUNTY, FLORIDA SHEET 5 OF 6 JUNE, 1994

0533-028

36

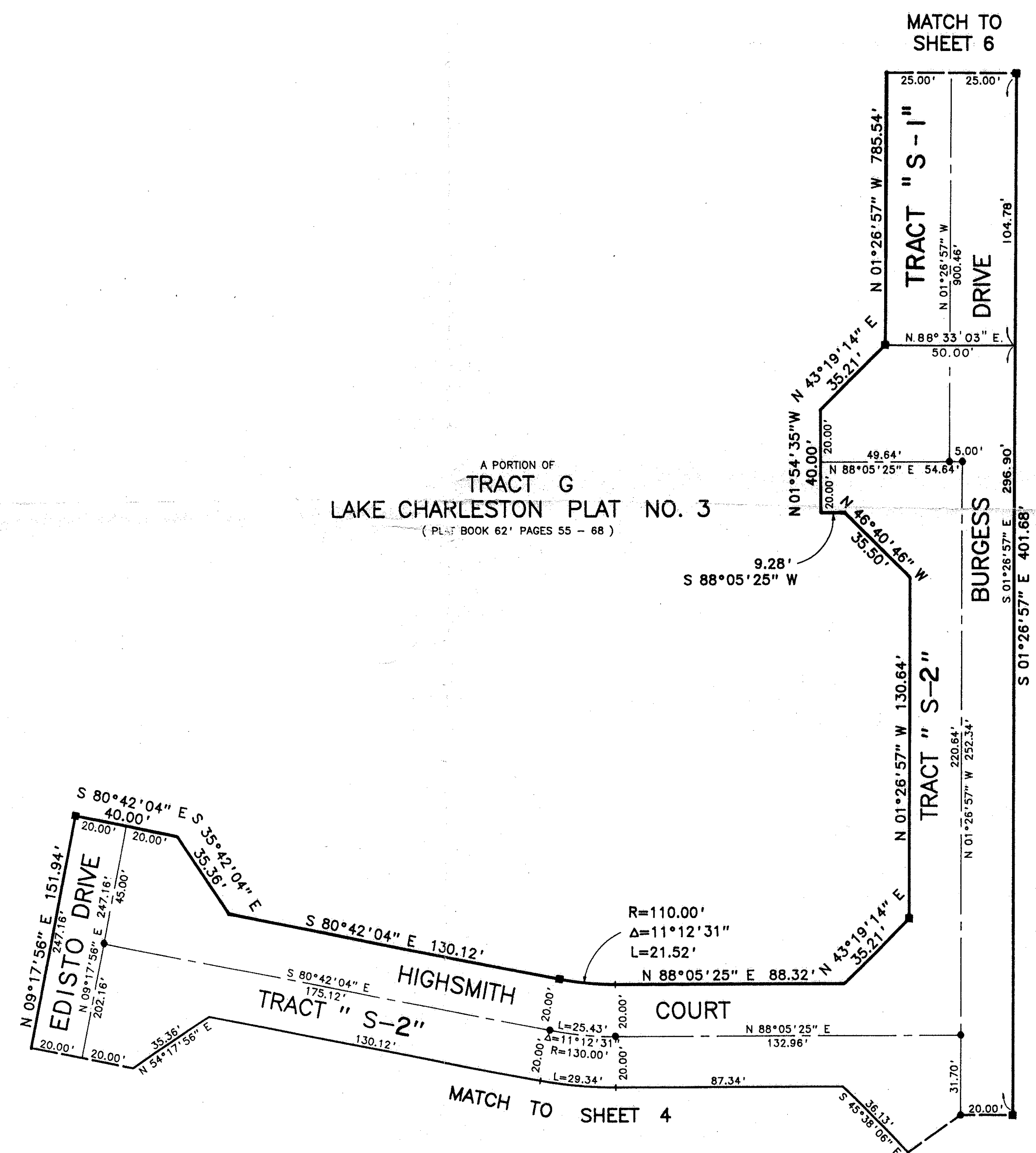


STATE OF FLORIDA
 COUNTY OF PALM BEACH
 This Plat was filed for record at _____
 M. this _____ day of _____ 19____
 and duly recorded in Plat Book No. _____
 on Page _____
 Dorothy H. Wilken, Clerk of the Circuit Court
 By _____ D.C.

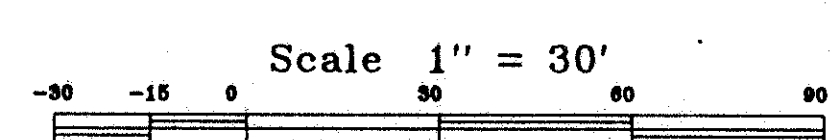
A PORTION OF
 TRACT G
 LAKE CHARLESTON PLAT NO. 3
 (PLAT BOOK 62, PAGES 55 - 68)

A PORTION OF
 TRACT G
 LAKE CHARLESTON PLAT NO. 3
 (PLAT BOOK 62, PAGES 55 - 68)

A PORTION OF
 TRACT G
 LAKE CHARLESTON PLAT NO. 3
 (PLAT BOOK 62, PAGES 55 - 68)



PET. 86-96
 ALLOC. #0001
 5/2/21



0533-028 74/36

THIS INSTRUMENT WAS PREPARED BY LESLIE BISPOTT UNDER THE SUPERVISION OF CRAIG S. PUSEY, PROFESSIONAL LAND SURVEYOR OF LANDMARK SURVEYING & MAPPING, INC.

Landmark Surveying & Mapping Inc.
 1850 FOREST HILL BOULEVARD
 PH. (407)433-5405 SUITE 100 W.P.B. FLORIDA

LAKE CHARLESTON TRACT "G" PLAT I

LAKE CHARLESTON TRACT "G"
 SUBDIVISION + Plat
 BOOK 74 PAGE 36
 FLOOD ZONE B
 ZONING RT5
 QUAB + 49
 SE 86-96
 PLD NAME same
 5/2/21

TAZ-439